



MOBILE

Solutions

PRODUCT RANGE

 **Bonfiglioli**

BONFIGLIOLI MOBILE SOLUTIONS



Planetary drives

300 Series

Electric powertrains

600WE Series

600F Series

Wheel drives

600 Series

600 Series with integrated service & parking brakes

600W Series

600W2/3 Series

Travel drives

700C Series

Track drives

700CK Series

700CP Series

700CT Series

Cutter drives

700C Series

Slew Drives

700T Series

700TK Series

Winch drives

700C Series

800 Series

Drum drives

500 Series

500 Series with electric motor

A complete range of innovative products for mobile solutions.

Since 1975, Bonfiglioli has been a partner with the largest global producers of machinery for the earth-moving, building, construction and agricultural sectors.

Our wide range of planetary gearboxes - complete with hydraulic and electric motors for excavators, roadwork equipment and many other applications - are manufactured in a production process which is firmly focused on the specific needs of our customers.

These solutions are developed with the highest levels of customisation, which requires, right from the initial design phases, in-depth interaction between the customer and Bonfiglioli team, to ensure that all of the required specifications and variants are known, for a product which perfectly meets expectations.

This is why our pre-sales and after-sales teams, spread strategically over all continents, play such a crucial role, and why ensuring complete support is at the heart of our global success.

Today, Bonfiglioli also offers innovative electromobility solutions for mobile equipment in a huge range of contexts.

This choice is perfectly in line with the industrial philosophy of the future, which is increasingly placing electrical systems alongside traditional power transmission.

Bonfiglioli also provides solutions for:



DISCRETE MANUFACTURING & PROCESS INDUSTRIES



ELECTROMOBILITY



MOTION & ROBOTICS



WIND

www.bonfiglioli.com



PLANETARY DRIVES



300 Series

The 300 series is compact and powerful. Their planetary drive train makes them the ideal choice for all severe duty applications where shock loads and impacts are more the rule than the exception. The product configuration is highly versatile, due to several options for mounting, gear layout, output shaft and motor interface. All the features are available for each of the 20 finely spaced frame sizes, with a torque range of 1,000 to 1,100,000 Nm.



HYDRAULIC SOLUTIONS



ELECTRIC SOLUTIONS



CONCRETE MIXERS



DRILLING MACHINES



PAVERS



TRAILED FEED-MIXERS

Gear ratios

- 3.4 ... 5,000

Brake options

- Hydraulically released parking brake on request
- DC and AC type

Output

- Foot and flange mounted
- Output shaft: solid with key, splined, splined hollow, hollow with shrink disc

Input

- Flanged axial piston hydraulic motors
- Hydraulic orbit motors
- IEC and Nema motor adapters
- Solid input shaft


Applicable motors

- Piston hydraulic motors
- Hydraulic orbit motors
- Electric motors IEC

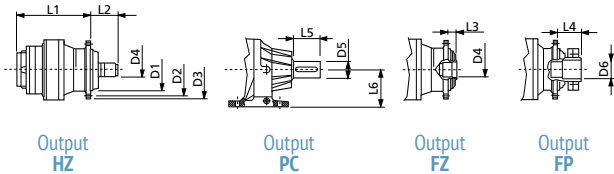
Torque (Nm)

300	1,000
301	1,750
303	2,500
304	3,600
305	5,000
306	8,500
307	12,500
309	18,000
310	25,000
311	40,000
313	55,000
314	80,000
315	100,000
316	134,000
317	170,000
318	250,000
319	350,000
321	500,000
323	800,000
325	1,100,000

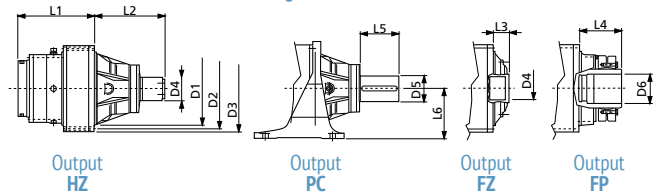


Type	Max power	Max input speed				Design
			Inline	Right angle	Combined with worm gear	
	kW	RPM				
300	20	3,000	3.4 - 2,700	7 - 700	400 - 2,300	A
301	30	3,000	3.4 - 2,700	7 - 700	400 - 2,300	A
303	40	3,000	3.6 - 2,800	9 - 800	400 - 2,400	A
304	50	3,000	3.6 - 2,500	9 - 700	400 - 2,400	A
305	60	3,000	3.6 - 2,800	9 - 800	400 - 2,400	A
306	75	2,500	3.6 - 2,900	9 - 800	400 - 2,600	A
307	100	2,500	3.4 - 2,400	13 - 700	400 - 2,500	A
309	130	2,500	3.4 - 2,400	13 - 700	400 - 2,500	B
310	150	2,000	4 - 2,500	40 - 900	400 - 5,000	B
311	180	2,000	4 - 2,100	18 - 800	400 - 5,000	B
313	200	2,000	4 - 2,200	18 - 800	400 - 5,000	B
314	225	2,000	4 - 1,800	50 - 600	400 - 5,000	B
315	250	1,500	4 - 1,800	70 - 900	400 - 5,000	B
316	270	1,500	4.4 - 1,200	50 - 600	400 - 5,000	B
317	300	1,000	4 - 1,900	70 - 900	400 - 5,000	B
318	340	1,000	4.4 - 1,100	200 - 700	400 - 5,000	B
319	380	500	4.8 - 1,400	300 - 800	2,500 - 5,000	B
321	450	300	4.4 - 1,100	300 - 800	1,000 - 5,000	B
323	850	300	4.6 - 1,300	-	-	B
325	1,050	300	4.6 - 1,300	-	-	B

Design A • 300 - 307



Design B • 309 - 325



Type	D1	D2	D3	D4	D5	D6	L1 (2 stages)	L2	L3	L4	L5	L6
300	110	165	185	40x36 DIN 5482	38	42	168	61	14	50	58	100
301	110	165	185	40x36 DIN 5482	50	42	180	61	14	50	82	132
303	150	195	222	58x53 DIN 5482	60	75	200	83	15	85	105	160
304	150	195	222	58x53 DIN 5482	60	75	212	83	15	85	105	160
305	150	195	222	58x53 DIN 5482	60	75	230	83	15	85	105	160
306	200	250	280	70x64 DIN 5482	80	90	260	130	40	115	130	180
307	230	295	325	80x74 DIN 5482	90	100	300	162	36	120	170	200
309	278	314	348	80x74 DIN 5482	100	120	215	231	82	245	165	225
310	340	370	400	100x94 DIN 5482	110	130	245	290	95	290	210	250
311	358	390	428	100x94 DIN 5482	120	135	250	320	88	190	210	280
313	385	415	445	120x3 DIN 5480	140	145	310	357	81	235	200	280
314	460	503	542	150x5 DIN 5480	160	180	370	429	98	260	240	315
315	460	503	542	150x5 DIN 5480	160	180	390	429	98	260	240	315
316	580	625	670	170x5 DIN 5480	180	180	430	275	145	265	260	400
317	560	635	695	200x5 DIN 5480	200	260	470	352	152	318	260	415
318	700	750	800	220x5 DIN 5480	250	220	550	340	155	305	330	500
319	800	880	940	260x5 DIN 5480	280	350	570	470	210	440	380	550
321	940	1020	1100	300x8 DIN 5480	340	390	595	500	250	440	540	650
323	1100	1220	1300	400x8 DIN 5480	-	410	666	-	375	520	-	-
325	1260	1380	1460	450x8 DIN 5480	-	450	698	-	400	590	-	-



ELECTRIC POWERTRAINS FOR LIGHTWEIGHT INDUSTRIAL MACHINERY



600WE Series

Bonfiglioli 600WE planetary drives incorporate an integrated, maintenance-free electric motor and offer significant benefits, including compact dimensions, low noise and high efficiency. This advanced powertrain solution uses a two- or three-stage gearbox offering reduction ratios of up to 1:145 to satisfy the widest possible range of needs. The gearbox is coupled with a low-voltage induction motor (BT Series), specially developed for traction power and control applications.



ELECTRIC SOLUTIONS



ACCESS PLATFORMS



SCISSOR PLATFORMS



TELESCOPIC PLATFORMS

Input speed

- up to 6,000 rpm

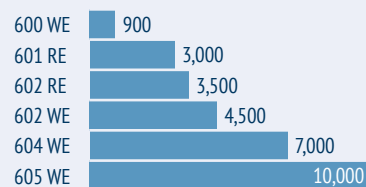
Main options

- Speed sensor bearing
- Other types of temperature sensors
- Mechanical disengagement for towing, with no need to remove the wheel and without oil drop
- Parking brake (spring applied with hydraulic or electromagnetic release)

Key features

- Two- or three-stage planetary drive with reduction ratios of up to 1:145
- Optimized gear design for maximum efficiency and minimum noise
- Integrated, low voltage, 3 phase induction motor with inverter
- Integrated, high accuracy, KTY temperature sensor
- High resolution, Hall effect speed sensor

Torque (Nm)

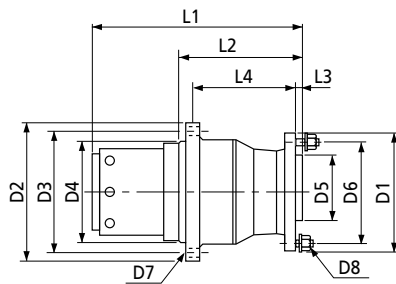


Type	Rated motor data
	kW, S2-60'
600 WE	0.9 ... 3.4
601 RE	2.5 ... 4.3
602 RE	3.4 ... 5.4
602 WE	3.4 ... 5.4
604 WE	4.3 ... 6.2
605 WE	5.4 ... 9.1

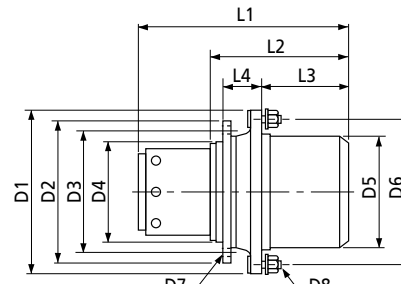


Type	Ratios	Max Input Speed	Weight	Oil Quantity	AC Electric Motor - Size				Parking Brake		Machine Ton Class
					BT135	BT150	BT170	BT200	Electromagnetic	Hydraulic	
	1:	rpm	kg	L							ton
600 WE	48-58.7	6,000	35	0.5	•	•			•		2 ÷ 4
601 RE	20.1 - 51.8	4,000	40	0.8		•	•		•	•	4 ÷ 6
602 RE	20.3 - 30.6	6,000	53	0.7		•	•		•	•	6 ÷ 9
602 WE	20 - 145	6,000	45	0.5		•	•		•	•	6 ÷ 9
604 WE	22.2-53	5,000	65	1.1			•	•	•	•	9 ÷ 12
605 WE	22.2 - 53	5,000	65	1.1			•	•		•	12 ÷ 18

	BT 135-			BT 150-			BT 170-			BT 200-		
	50	100	150	50	100	150	50	100	150	50	100	150
P_n (S2 60') (kW)	0.9	1.6	2.3	1.5	2.5	3.4	2.4	4.3	5.4	3.1	6.2	9.1
T_n (Nm)	3	5.6	8.5	4.8	9.1	12.5	7.7	14	22	10	20	29.5
V_{batt} (V)	24	24	24	24	24	24	48	48	48	80	80	80
I_n (A)	55	95	128	80	130	175	67	110	143	53	98	137
n (rpm)	2,930	2,927	2,632	2,894	2,617	2,610	2,945	2,952	2,357	2,957	2,963	2,958
$\cos\phi$	0.77	0.8	0.81	0.85	0.86	0.87	0.77	0.83	0.8	0.77	0.8	0.84
η (%)	86.9	89.5	90.0	85.5	88.7	89.2	88.3	89.6	91.3	88.8	91.6	92.5



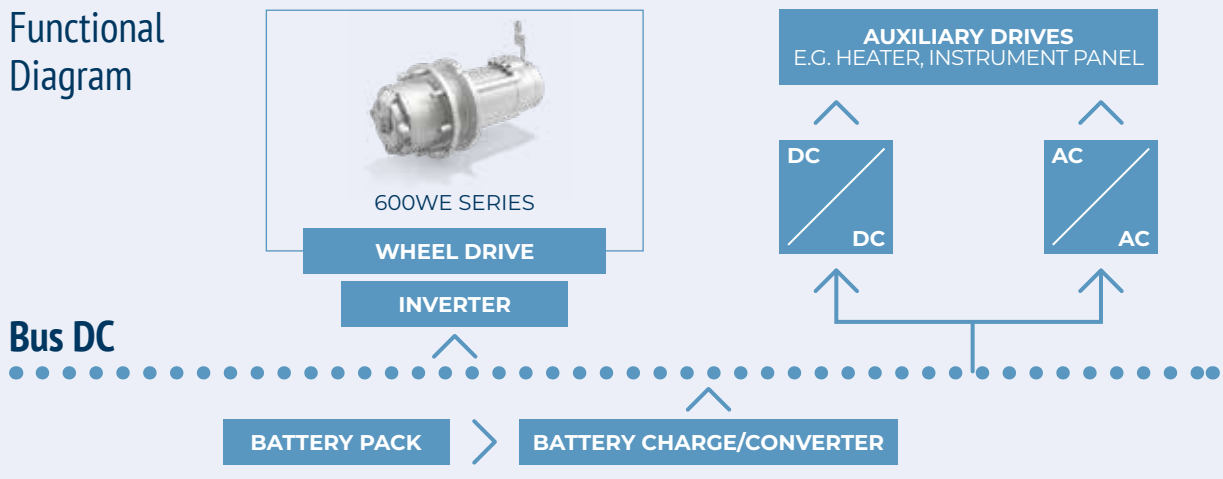
RE version



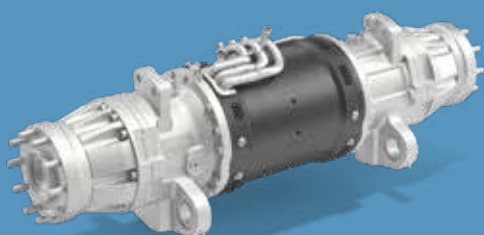
WE version

Type	L1												L2	L3	L4	D1	D2	D3	D4	D5	D6	D7	D8
	BT 135-			BT 150-			BT 170-			BT 200-													
600WE	275	325	375	290	340	390	-	-	-	-	-	-	134	39	89	240	207.5	190.5	171.45	184.15	216	M8 n.6	M12 n.9
601RE	-	-	-	-	453	503	412	462	-	-	-	-	247	12	200	189	265	245	225	110	160	Ø13 n.8	M14x1.5 n.8
602RE	-	-	-	-	-	524	434	484	534	-	-	-	269	15	193	210	295	265	235	130	170	M16 n.8	M18 n.6
602WE	-	-	-	-	-	455	375	425	475	-	-	-	210.5	104.5	88	260	271	248	220	200	230	Ø15 n.12	M14 n.9
604WE	-	-	-	-	-	-	-	464	514	446	496	-	231	110	106	315	300	275	250	220	275	M16x2 n.12	M20x1.5 n.8
605WE	-	-	-	-	-	-	-	-	524	456	506	556	241	154	72	315	300	275	250	220	275	M16x2 n.12	M20x1.5 n.8

Functional Diagram



ELECTRIC POWERTRAINS FOR MATERIAL HANDLING VEHICLES



600F Series

Bonfiglioli supplies high-efficiency, low-noise planetary axles and drives with integrated high performance electric motors and low maintenance braking systems for Class 1 material handling vehicles. Typical applications include 3- and 4-wheel counterbalance lift trucks and ground support equipment. Bonfiglioli electric powertrains are fully tested in the factory and guarantee reduced energy consumption. This, in turn, means longer battery operating times, extended service intervals and lower cost of ownership.



ELECTRIC SOLUTIONS



CB TRUCKS



MATERIAL HANDLING VEHICLES



TOW TRACTORS

Gear ratios

- 26 ... 42

Input speed

- up to 8,000 rpm
(Depending on ratio and size)

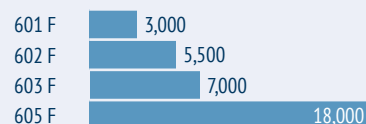
Main options

- Mechanical disengagement for towing, with no need to remove the wheel and without oil drop
- Wet disc service and parking brakes

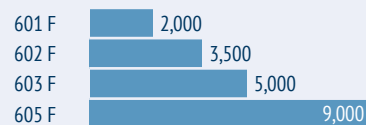
Key features

- Dual stage gearbox
- Optimized gear design for maximum efficiency and minimum noise
- Service brake
- Parking brake
- Integrated, customized mast support
- Integrated AC traction motor protection rating up to IP54
- Integrated, high accuracy, silicon-based KTY temperature sensor
- Integrated, high resolution hall effect speed sensor

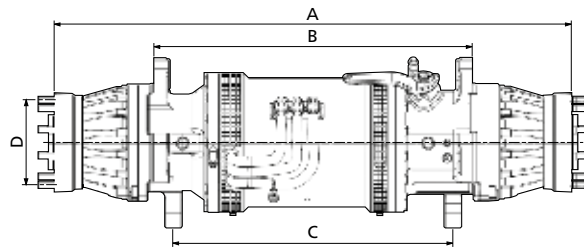
Torque (Nm)



Lift capacity (kg)

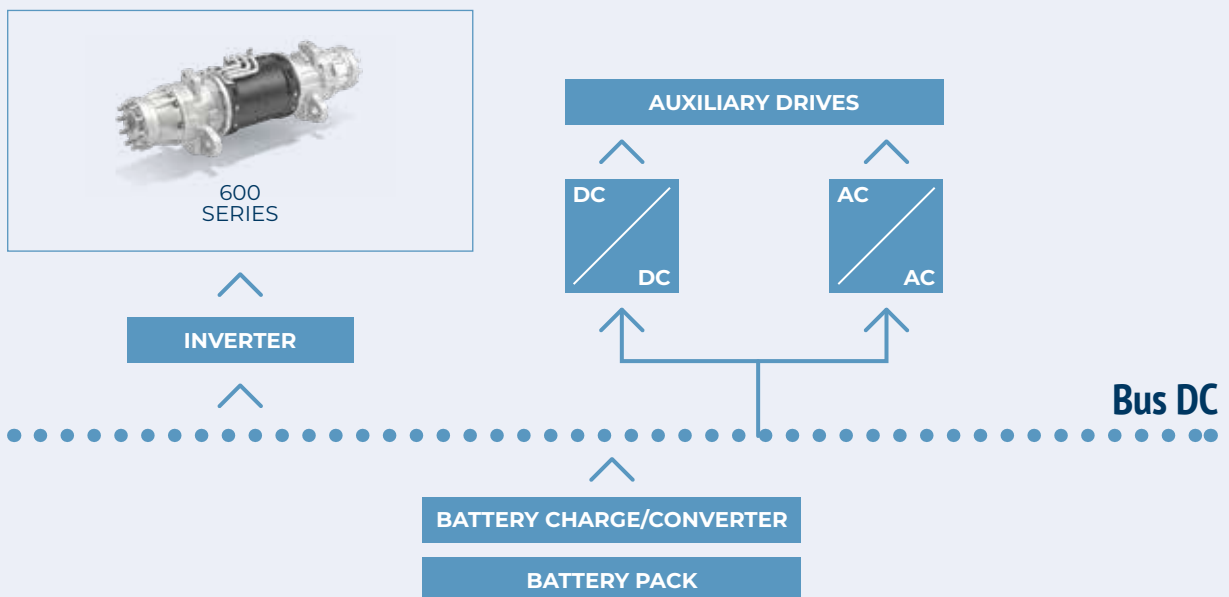


Type	Max input speed	Rated motor power	Typical wheel size
	min ⁻¹	kW, S2-60'	inches
601 F	8,000	2x4.5	18
602 F	5,500	18	23
603 F	4,500	26	28
605 F	4,500	2x14	35



Type	A	B	C	D
	Flange to flange	Frame mounting	Mast mounting	Wheel stud PCD
601 F	1,015	610	630	120
602 F	1,090	640	600	170
603 F	1,150	670	620	225
605 F	1,440	1,200	-	275

Functional Diagram



WHEEL DRIVES



600 Series

The Bonfiglioli 600 Series is the best solution when designing wheeled off-road machinery. With a compact design, high torque and load capacities, a negative multi-disk parking brake and an optional disengagement device to tow the vehicle in an emergency, these solutions precisely match the application requirements.



HYDRAULIC SOLUTIONS

 COLD MILLING MACHINES	 PAVERS	 ROAD RECLAIMERS	 SOIL COMPACTORS	 GRAPE HARVESTERS	 POTATO HARVESTERS
 SELF-PROPELLED FEED-MIXERS	 SELF-PROPELLED SPRAYERS	 SUGAR CANE HARVESTERS	 ACCESS PLATFORMS	 SCISSOR PLATFORMS	 TELESCOPIC PLATFORMS

Input speed

- up to 4,000 rpm

Brake options

- Hydraulically released parking brake on request

Applicable motors

- Cartridge axial piston hydraulic motors
- Flanged axial piston hydraulic motors
- Hydraulic orbit motors
- DC electric motor brake

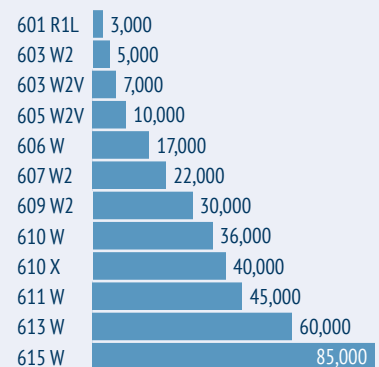
Main options

- Dynamic & service brake

Key benefits

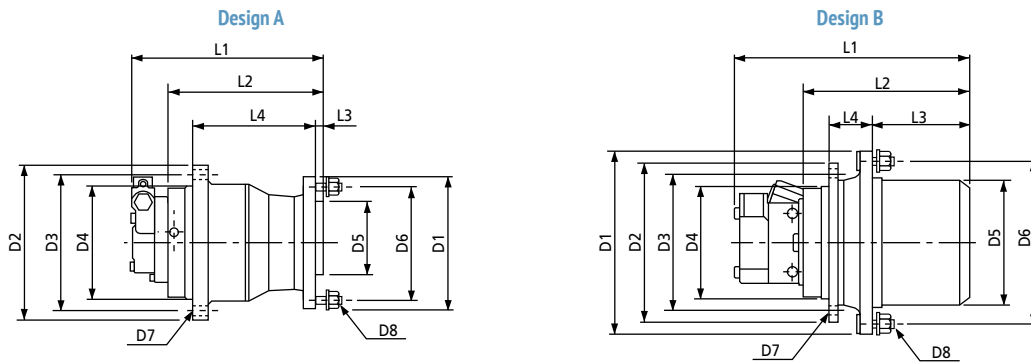
- Rotating housing flange with studs to fit wheels and drums
- Rugged design
- High torque capacity
- High load capacity
- Mechanical lifetime seals
- Compact design
- Optional mechanical gear disengagement on request

Torque (Nm)



Type	Range of ratios	Max. input speed	Hydraulic motor drive ⁽¹⁾	Braking torque	Min. opening pressure	Weight	Design
	1:			Nm	bar	kg	
601 R1	4.26 - 5.77	1000	LS	450 - 600	15 - 20	35	A
603 W2V H	19.5 - 40.5	4000	HS	170 - 250	15 - 20	45	B
603 W2L H	14 - 40.5	4000	HS	170 - 250	15 - 20	45	A
603 W2V B	21.6 - 53	4000	HS	170 - 250	15 - 20	45	B
605 W2 H	22.2 - 53	3500	HS	220 - 310	15 - 20	65	B
605 W2 B	22.2 - 53	3500	HS	220 - 300	15 - 20	65	B
606 W2	19.7 - 43.8	3500	HS	400 - 500	15 - 20	110	B
606 W3	68 - 128.6	3500	HS	300 - 350	15 - 20	120	B
607 W2..B	55-120	3000	HS	300 - 600	15 - 20	140	B
609 W2..B	55-147	3000	HS	300 - 600	15 - 20	170	B
610 W.V	55-123	3000	HS	300 - 800	15 - 20	200	B
610 X2	22.5-51.4	3000	HS	800 - 1200	15 - 20	200	B
611 W.V	41-47	3000	HS	300 - 800	15 - 20	250	B
613 W.V	108	3000	HS	300 - 800	15 - 20	250	B
615 W.V	108	3000	HS	300 - 1000	15 - 20	350	B

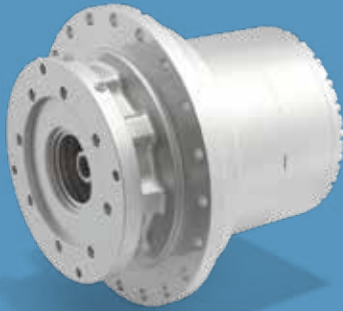
(1) LS = Low speed motor
HS = High speed motor



Type	D1	D2	D3	D4	D5	D6	D7	D8	L1	L2	L3	L4
601 R1L	230	260	230	200	152,4	203,2	Ø15 n°8	M14x1.5 n°8	Depend on motor type	245	10	195
603 W2VH	280	270	230	190	200	241,3	M16x2 n°8	M18x1.5 n°9		236	128	72
603 W2LH	237	270	230	190	160	205	M16x2 n°8	M18x1.5 n°6		249.5	25	175
603 W2V B	275	240	210	178	200	241,3	M16x2 n°9	M16x1.5 n°9		249	108	106
605 W2 H	300	270	230	190	220	260	M16x2 n°8	M16x1.5 n°8		240	154	72
605 W2 B	310	260	230	190	220	275	M16x2 n°12	M20x1.5 n°8		218	136	72
606 W2	370	330	300	270	280	335	M16x2 n°18	M22x1.5 n°10		270	155	115
606 W3	370	330	300	270	280	335	M16x2 n°18	M22x1.5 n°10		315	200	115
607 W2..B	400	317	285	240	300	355	M20x2.5 n°20	M18x1.5 n°20		335	233	82
609 W2..B	435	375	340	300	350	400	M20x2.5 n°16	M22x1.5 n°16		350	243	91
610 W.V	435	375	340	300	350	400	M20x2.5 n°16	M22x1.5 n°16		350	243	91
610 X2	440	410	370	330	360	400	M20x2.5 n°20	M20x2.5 n°16		383	268	90
611 W.V	490	425	325	290	410	455	M20x2.5 n°24	M20x1.5 n°24		375	242	110
613 W.V	490	425	325	280	410	455	M20x2.5 n°24	3/4-16 UNF n°24		405	275	110
615 W.V	550	500	460	420	460	510	M20x2.5 n°24	M20x1.5 n°24	470	320	130	



INTEGRATED SERVICE AND PARKING BRAKES FOR 600 SERIES WHEEL DRIVES



Key features

- Compact and modular design
- Compliant with international regulations for service, emergency and parking braking
- Improved modularity of service brake actuation
- Integrated oil immersed brake disc package
- Dedicated piston return system for optimized thermal performance (patent pending)
- Heavy duty discs to maximize thermal capacity for best energy dissipation, even under extreme conditions



COMBINE HARVESTERS



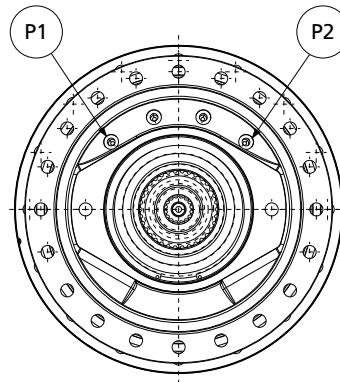
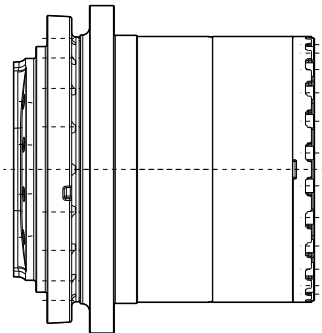
FORAGE HARVESTERS



POTATO, CARROT HARVESTERS



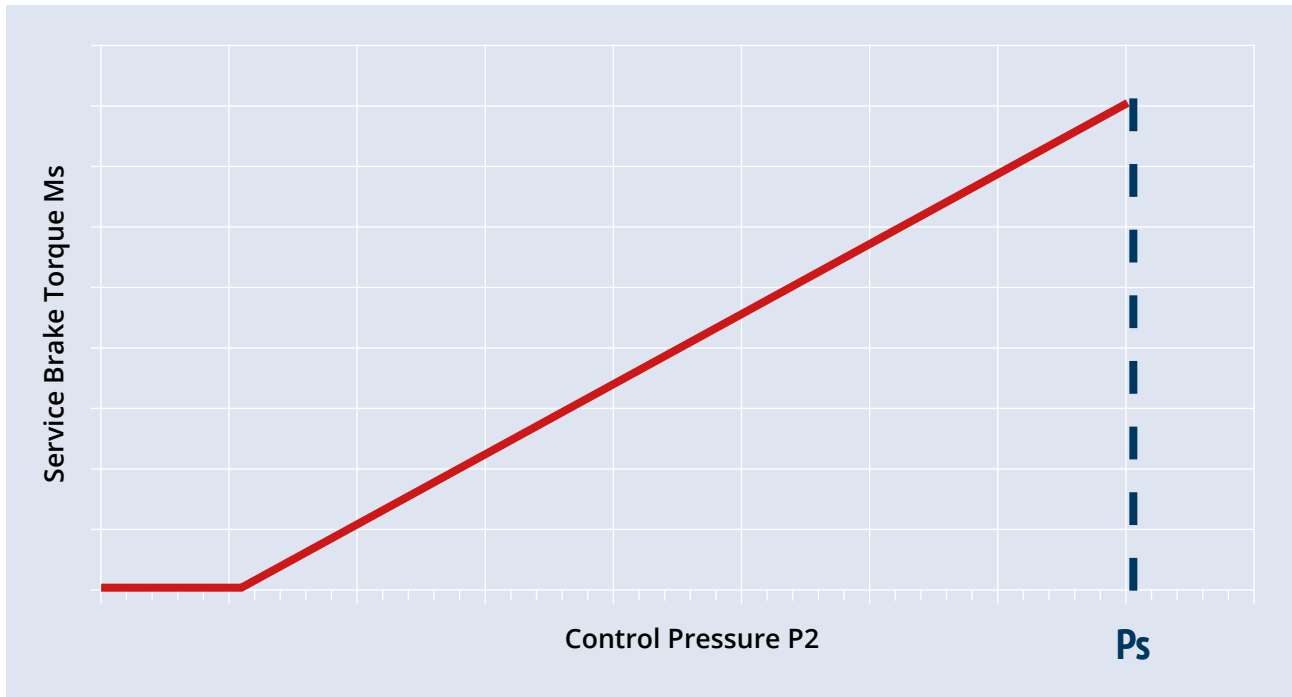
SELF-PROPELLED SPRAYERS



P1: static brake port
P2: service brake port

Action	P1 port	P2 port
Parking brake engaged	Not pressurized	Not pressurized
Travel	Pressurized	Not pressurized
Service braking	Pressurized	Pressurized (to modulate the braking torque)

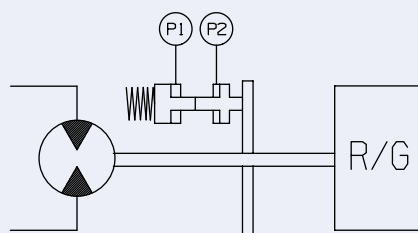
Service Brake Performance



GEARBOX MODEL	SERVICE BRAKE		PARKING BRAKE	
	Max torque (Ms)	Max operating pressure (Ps)	Max torque (Mp)	Min release pressure (Pr)
	Nm	bar	Nm	bar
605 W2	300	60	310	20
606 W2	350	90	650	20
607 W2	350	90	650	20
609 W2	450	90	800	20
610 X2	650	90	1200	20
611 W2	650	90	1200	20

The above data are for reference only. To be verified based on actual machine data.

Hydraulic Diagram



P1: static brake port
P2: service brake port

WHEEL DRIVES FOR HYBRID CONSTRUCTION & AGRICULTURE MACHINERY



600W Series

Bonfiglioli's 600W planetary wheel drives can be coupled to a high-power density electric motor, instead of a conventional hydraulic motor. This complete mechatronic solution is designed for a high voltage hybrid powertrain system and was originally conceived for self-propelled crop sprayers.



ELECTRIC SOLUTIONS



HYBRID
SELF-PROPELLED
SPRAYERS



HYBRID
AGRICULTURAL
MACHINERY



HYBRID
CONSTRUCTION
MACHINERY



HYBRID ROAD
MACHINERY

Advantages for OEM

- Possibility of downsizing and downspeeding combustion engines
- Ease of installation: electric solution dimensions comparable to standard hydrostatics
- Higher system reliability: fewer mechanical parts
- Virtually maintenance-free electric motors
- From wheel bolt to electric wire with only one supplier

Advantages for final user

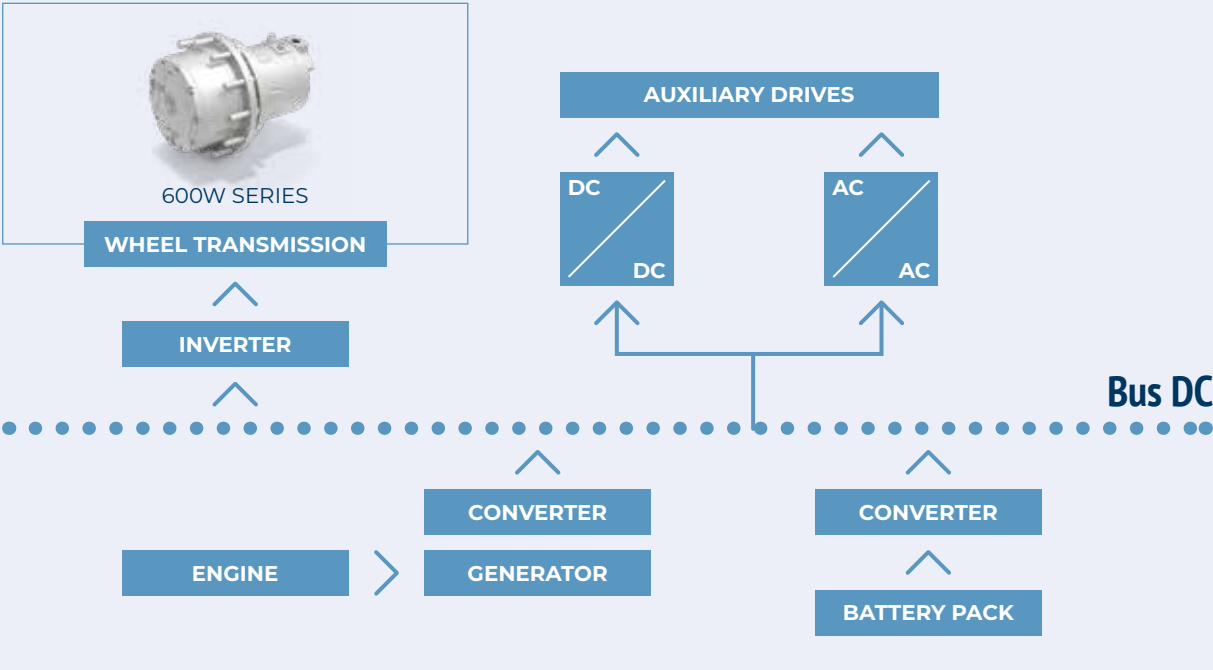
- Reduction of fuel consumption
- Increase of productivity
- Better machine manoeuvrability
- The electric solution is cleaner: lower risk of oil spills

Torque (Nm)

605 W.V.	10,000
606 W.V.	17,000
607 W.V.	22,000
609 W.V.	30,000
610 W.V.	36,000
610 X	40,000
611 W.V.	45,000
613 W.V.	60,000



Functional Diagram



WHEEL DRIVES



600W2/3 Series

This gear shift final drive is specifically designed for wheeled and tracked machines featuring a significantly different travel/operating speed ratio.

The product is the ideal solution for road paving machines, construction equipment, as well as agricultural and forestry machines.



HYDRAULIC SOLUTIONS



Applicable motors

- Cartridge axial piston hydraulic motors

Brake

- Hydraulically released multidisc type
- Parking braking
- Emergency braking

Key features

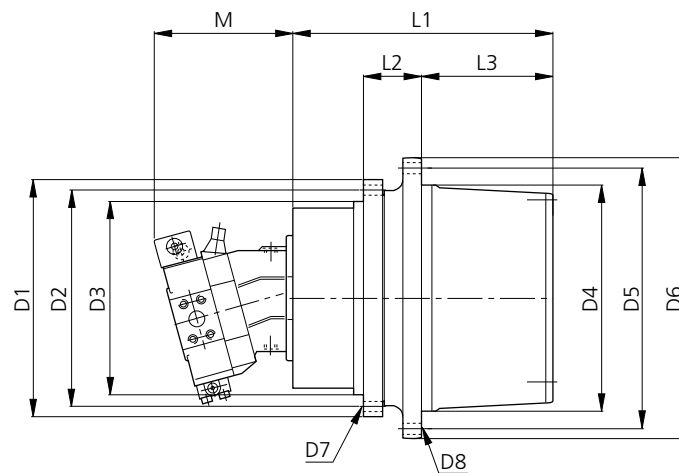
- Dual gear ratio, hydraulic Lo-Hi speed shifting
- Rotating housing
- Rugged design
- High torque capacity
- High load capacity
- Mechanical lifetime seals
- Compact design
- Hydraulically operated multidisc clutches, allowing both speed shifting and brake

Torque (Nm)

606W2/3	15,000
610W2/3	40,000
611W2/3	50,000



Type	Weight	Output Torque	Ratios	Motor Type
	tons	Nm	1:	
606W2/3	up to 14	15,000	20 - 24 Hi speed 70 - 114 Lo speed	Axial piston, variable displacement
610W2/3	18 ÷ 28	40,000	20.5 - 24.5 Hi speed 71 - 141 Lo speed	
611W2/3	28 ÷ 36	55,000	35 Hi speed 234 Lo speed	



Type	D1	D2	D3	D4	D5	D6	D7	D8	L1	L2	L3
606W2/3	430	360	300	290	335	370	M16x2 no.16	M22x1.5 no.10	305	188	135
610W2/3	375	340	300	350	400	435	M20x2.5 no.16	M20x2.5 no.16	388	91	203
611W2/3	570	525	465	410	455	488	Ø22 no.12	M22x1.5 no.20	366	113	219

TRAVEL DRIVES



700C Series

Bonfiglioli 700C series units are unsurpassed by any crawler or milling machines. Thanks to compact, rugged design, high torque and load capabilities, and optional mechanical lifetime seals, these solutions are the best possible option for the machine. All units are available with a fail-safe parking brake and most have the option of cartridge type fixed or variable systems.



HYDRAULIC SOLUTIONS



CRAWLER CRANES



CRUSHERS & SCREENERS



DRILLING MACHINES



EXCAVATORS



COLD MILLING MACHINES



PAVERS



SOIL COMPACTORS



TANDEM VIBRATORY ROLLERS



BUCKET WHEEL EXCAVATORS



ROADHEADER



SURFACE MINERS



FELLER BUNCHERS



HARVESTERS



MULCHER MACHINES

Input speed

- up to 4,000 rpm

Brake options

- Hydraulically released parking brake on request

Applicable motors

- Cartridge axial piston hydraulic motors
- Flanged axial piston hydraulic motors
- Hydraulic orbit motors

Key features

- Rotating housing
- Rugged design
- High torque capacity
- High load capacity
- Mechanical lifetime seals
- Compact design

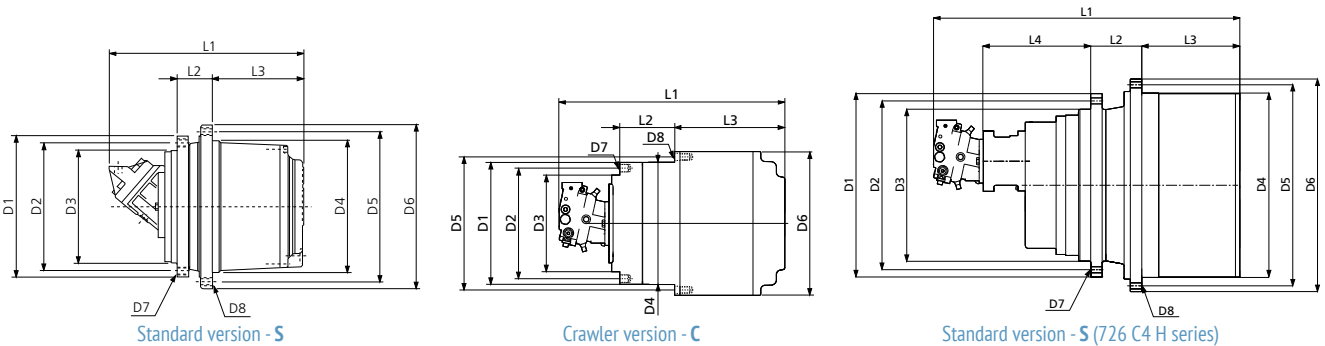
Torque (Nm)

700 C1 H	1,000
701 C1	2,200
703 C2 H	4,000
705 C2 H	10,000
706 C3 B	18,000
707 C3 B	26,000
709 C3 B	30,000
710 C3 B	36,000
711 C3 B	45,000
713 C3 B	60,000
715 C3 B	85,000
716 C3 B	100,000
717 C3 H	130,000
718 C3 H	180,000
720 C3 H	220,000
722 C3 H	330,000
724 C4 H	450,000
726 C4 H	625,000



Type	Range of ratios	Max. input speed	Hydraulic motor drive ⁽¹⁾	Braking torque	Min. opening pressure	Weight
	1:	RPM		Nm	bar	kg
700 C1 H	5.25	1000	LS	140 - 250	15 - 25	20
701 C1	6.2	1000	LS	250 - 350	20 - 30	25
703 C2 H	19-40	4000	HS	210	18	42
705 C2 H	22-53	3500	HS	220 - 310	10 - 20	60
706 C3 B	68-173	3500	HS	250 - 500	10 - 20	95
707 C3 B	55-120	3500	HS	250 - 500	10 - 20	135
709 C3 B	55-147	3500	HS	250 - 600	10 - 20	180
710 C3 B	55-166	3500	HS	250 - 600	10 - 20	200
711 C3 B	71-163	3500	HS	400 - 800	10 - 20	270
713 C3 B	56-147	3000	HS	400 - 800	10 - 20	310
715 C3 B	62-156	3000	HS	600 - 1000	10 - 20	350
716 C3 B	83-174	3000	HS	800 - 1200	10 - 20	400
717 C3 H	92-211	3000	HS	800 - 1200	10 - 20	630
718 C3 H	87-263	3000	HS	800 - 1400	10 - 20	750
720 C3 H	175-287	3000	HS	800 - 1700	10 - 20	820
722 C3 H	296-492	3000	HS	1500 - 2500	15 - 30	1300
724 C4 H	350 - 428	3000	HS	1500 - 2500	15 - 30	1300
726 C4 H	248-282-330	3000	HS	2 x 1200	27	2800

(1) LS = Low speed motor / HS = High speed motor



Type	D1	D2	D3	D4	D5	D6	D7	D8	L1	L2	L3	L4	Version
700 C1 H	195	175	155	160	180	200	M10x1.5 n°8	M10x1.5 n°8	Depend on motor type	40	80	-	S
701 C1	230	200	180	190	210	230	M10x1.5 n°8	M10x1.5 n°8		40	105	-	S
703 C2 H	270	230	190	200	240	280	M16x2 n°8	M20x1.5 n°8		72	128	-	S
705 C2 H	270	230	190	220	260	300	M16x2 n°12	M16x2 n°16		72	158	-	S
706 C3 B	330	300	270	280	330	370	M16x2 n°18	M16x2 n°18		115	190	-	S
707 C3 B	317	285	240	300	340	370	M20x2.5 n°20	M16x2 n°20		82	233	-	S
709 C3 B	375	340	300	330	370	400	M20x2.5 n°16	M16x2 n°30		91	243	-	S
710 C3 B	375	340	300	350	400	435	M20x2.5 n°16	M20x2.5 n°16		91	243	-	S
711 C3 B	425	325	290	410	455	490	M20x2.5 n°24	M20x2.5 n°24		110	265	-	S
713 C3 B	425	325	290	410	455	490	M20x2.5 n°24	M20x2.5 n°24		110	280	-	S
715 C3 B	500	460	420	460	510	550	M20x2.5 n°24	M20x2.5 n°24		130	315	-	S
716 C3 B	500	460	420	460	500	550	M24x3 n°24	M18x1.5 n°36		165	308	-	S
717 C3 H	570	510	450	560	610	660	M30x3.5 n°20	M24x3 n°24		170	350	-	S
718 C3 H	570	510	450	576	626	670	M24x3 n°30	M24x3 n°20		170	350	-	S
720 C3 H	650	600	460	610	680	735	M30x3.5 n°30	M30x3.5 n°24	170	370	-	S; C	
722 C3 H	735	680	580	660	730	785	M30x3.5 n°30	M30x3.5 n°30	188	430	-	S	
724 C4 H	568	515	450	570	620	670	M36x1.5 n°29	M30x1.5 n°42	255	513	-	S; C	
726 C4 H	880	810	730	885	965	1020	M30x2 n°41	M30x2 n°48	245	470	515	S; C	



TRACK DRIVES



700CK Series

Extremely compact, lightweight, efficient and smooth to operate, 700CK Series track drives are powered by integrated axial piston hydraulic motors, developed in cooperation with Kayaba.



HYDRAULIC SOLUTIONS



COMPACT TRACK LOADERS



CRAWLER CRANES



EXCAVATORS



MINI-EXCAVATORS

Input speed

- up to 3,500 rpm

Brake options

- Hydraulically released failsafe parking brake automatically operated by main pressure

Motors

- Kayaba hydraulic motors, fixed and dual displacement, complete with counterbalance valve

Motor options

- Pressure relief valves, shockless type
- Anticavitation valve

Key features

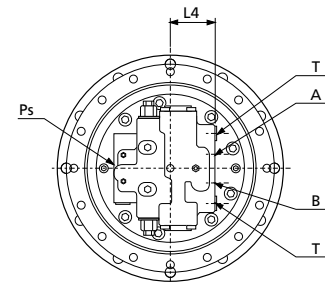
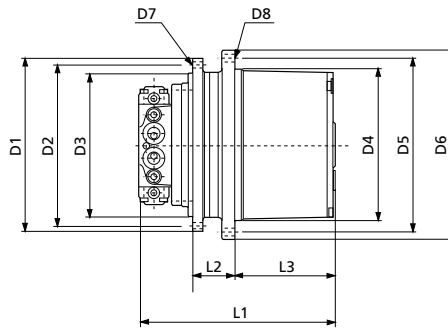
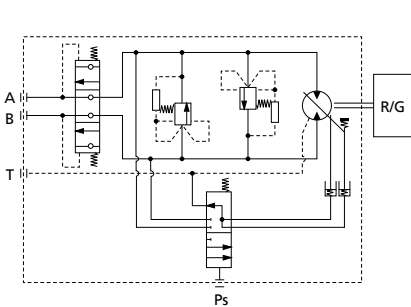
- Rotating output flange with large PCD suitable for sprocket
- Rugged design
- High torque capacity
- High load capacity
- Mechanical lifetime seals
- Compact design

Torque (Nm)

700 C2 K	1,200
700-2C2 K	1,900
701 C2 K	2,500
702 C2 K	3,500
704 C2 K	5,000
705 C2 K	9,000
706 C3 K	18,000
707 C3 K	26,000
709 C3 K	30,000
710 C3 K	36,000
710 C2 K	40,000
713 C2 K	45,000
713 C3 K	60,000
715 C3 K	85,000
716 C3 K	100,000
718 C3 K	180,000
720 C3 K	220,000



Type	Motor displacement	Max. pressure	Max. flow	2 speed control min. pressure	Parking brake torque	Range of ratios	Weight	Approx. weight of machine
	max/min	bar	l/min	bar	Nm	1:	Kg	ton
700 C2 K	12-5.5	210	20	6	25	32-41	20	1.6
700-2C2 K	18-9	210	30	6	25	30-42	25	2
701 C2 K	18-11.6	250	35	6	25	30-53	25	3
702 C2 K	26.3-13.4	250	45	6	40	37-53	35	4
704 C2 K	33.8-19	250	60	6	40	45-53	60	5.5
705 C2 K	50.9-25.4	320	92	6	50	24-53	70	7
706 C3 K	50-25	300	75	6	50	68-128	80	8-10
707 C3 K	87-50	300	120	10	240	46-109	140	10-12
709 C3 K	87-50	300	160	10	400	53-123	225	13-20
710 C3 K	170-96	300	240	10	400	49-69	230	20-25
710 C2 K	170-96	300	240	10	400	41-47	200	20-25
713 C2 K	170-96	300	230	10	400	55	280	25-29
713 C3 K	230-120	345	310	10	400	60-75	300	29-37
715 C3 K	230-340	345	370	10	400	62-82	380	37-50
716 C3 K	340	345	420	10	2000	75	500	50-60
718 C3 K	340	345	500	10	2000	85-106	850	60-80
720 C3 K	340	345	500	10	2000	120	1000	up to 120



Type	D1	D2	D3	D4	D5	D6	D7	D8	L1	L2	L3	L4	A-B	T	Ps
700 C2 K	175	155	140	140	155	175	M10x1.5 no.8	M10x1.5 no.8	202	45	93	40	1/4"	1/4"	1/4"
700-2C2 K	190	170	150	160	180	200	M10x1.5 no.8	M10x1.5 no.8	223	40	108	39	3/8"	1/4"	1/4"
701 C2 K	215	192	165	190	215	240	M12x1.75 no.9	M12x1.75 no.9	300	50	125	45	1/2"	1/4"	1/4"
702 C2 K	215	192	165	204	232	255	M12x1.75 no.9	M12x1.75 no.9	285	70	115	45	1/2"	1/4"	1/4"
704 C2 K	264	240	200	230	262	286	M14x2 no.9	M14x2 no.9	345	68	167	46	1/2"	3/8"	1/4"
705 C2 K	268	244	210	230	260	286	M14x2 no.12	M14x2 no.12	340	75	144	50	1/2"	3/8"	1/4"
706 C3 K	308	280	246	280	330	370	M16x2 no.20	M16x2 no.12	412	100	193	50	1/2"	3/8"	1/4"
707 C3 K	350	320	280	300	340	370	M16x2 no.16	M16x2 no.20	440	91	210	84	3/4"	1/2"	1/4"
709 C3 K	375	340	300	330	370	400	M16x2 no.30	M16x2 no.30	470	99,5	246	84	3/4"	1/2"	1/4"
710 C3 K	375	340	300	350	400	435	M16x2 no.30	M16x2 no.30	455	91	243	84	3/4"	1/2"	1/4"
710 C2 K	370	340	300	402	440	470	M16x2 no.30	M16x2 no.22	474	98.5	223	94	1"	1/2"	1/4"
713 C2 K	450	410	360	410	455	490	M24x3 no.18	M20x2.5 no.22	500	106	265	84	3/4"	1/2"	1/4"
713 C3 K	480	440	380	410	455	490	M24x3 no.18	M20x2.5 no.24	570	100	287	90	1"	1/2"	1/4"
715 C3 K	500	460	420	460	510	550	M20x2.5 no.24	M20x2.5 no.24	605	130	315	90	1"	1/2"	1/4"
716 C3 K	500	460	420	460	500	548	M24x3 n°24	M18x1.5 n°36	663	165	308	118	1"	3/4"	1/4"
718 C3 K	570	510	450	576	626	670	M24x3 n°30	M24x3 n°30	730	170	350	118	1"	3/4"	1/4"
720 C3 K	650	600	480	610	680	735	M30x3.5 n°30	M24x3.5 n°24	800	170	370	118	1"	3/4"	1/4"



TRACK DRIVES



700CP Series

Extremely compact, lightweight, efficient and smooth to operate, 700CP Series track drives are powered by integrated axial piston hydraulic motors, developed in cooperation with Poclain hydraulics.



HYDRAULIC SOLUTIONS



MINI-EXCAVATORS

Input speed

- up to 3,500 rpm

Brake options

- Hydraulically released failsafe parking brake automatically operated by main pressure

Motors

- Hydraulic motors
- Fixed and dual displacement, complete with counterbalance valve

Motor options

- Pressure relief valves, shockless type
- Anticavitation valve

Key features

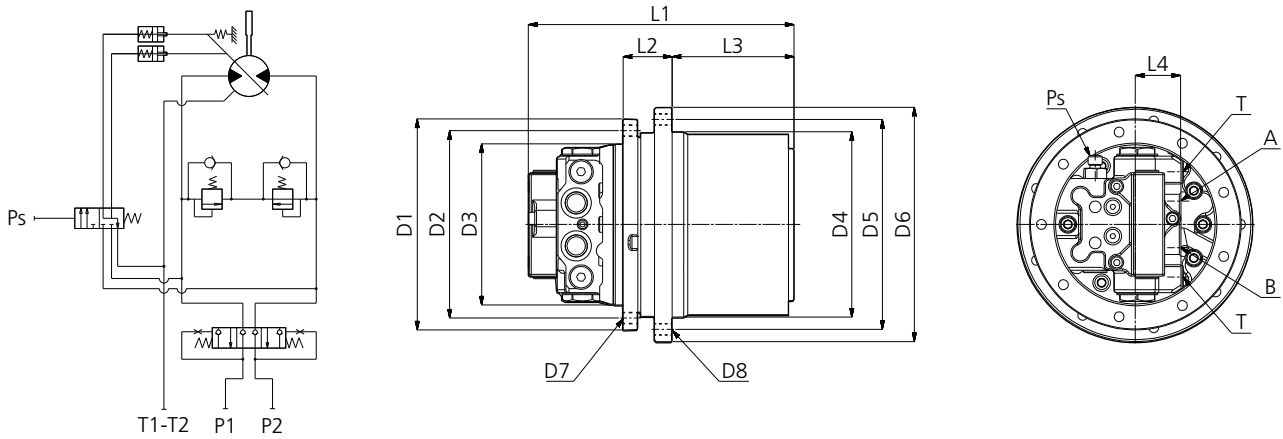
- Rotating output flange with large PCD suitable for sprocket
- Rugged design
- High torque capacity
- High load capacity
- Mechanical lifetime seals
- Compact design

Torque (Nm)

700 C2 P	1,200
700-2 C2 P	1,900
701 C2 P	2,500
702 C2 P	3,500
704 C2 P	5,000



Type	Ratios	Motor Displacement Min/Max	Max. Pressure	Max. Oil Flow	Weight	Approx. Weight of Machine
	1:	cc/rev	bar	l/min	kg	ton
700 C2 P	18.5 - 26.5	14.7 / 7.7	215	25	18	up to 1.5
700-2 C2 P	18.9 - 36.8	17.85 / 7.7	230	30	24	1.5 ÷ 2
701 C2 P	31.1 - 57.5	17.85 / 7.8	250	35	36	2 ÷ 3
702 C2 P	31.1 - 57.5	29.0 / 11.8	275	50	41	3 ÷ 4
704 C2 P	30 - 55	36.4 / 16.7	275	65	60	4 ÷ 6



Type	D1	D2	D3	D4	D5	D6	D7	D8	L1	L2	L3	L4	A-B	T	Ps
700 C2 P	175	155	140	140	155	175	M10x1.5 no.8	M10x1.5 no.9	220	45	138	*	*	*	*
700-2 C2 P	195	175	155	160	180	200	M10x1.5 no.8	M10x1.5 no.8	250	40	108	*	*	*	*
701 C2 PM	215	192	165	204	232	255	M12x1.75 no.9	M12x1.75 no.9	277	66	119	*	*	*	*
701 C2 PK	215	192	165	190	215	239	M12x1.75 no.9	M12x1.75 no.9	277	50	119	*	*	*	*
702 C2 P	215	192	165	204	232	255	M12x1.75 no.9	M12x1.75 no.9	304	70	119	*	*	*	*
704 C2 P	264	240	200	230	262	286	M14x1.75 no.12	M14x1.75 no.12	335	68	139	*	*	*	*

* Based on motor version

TRACK DRIVES



700CT Series

Extremely compact, lightweight, efficient and smooth to operate, 700CT Series track drives are powered by integrated axial piston hydraulic motors.



HYDRAULIC SOLUTIONS



COMPACT TRACK LOADERS



DOZERS



PAVERS



SOIL COMPACTORS

Input speed

- up to 3,500 rpm

Brake options

- Hydraulically released spring-applied parking brake, with external independent port

Motors

- Fixed or dual displacement, with flushing valve circuit, suitable for closed loop applications

Motor options

- Speed sensor mounting

Key features

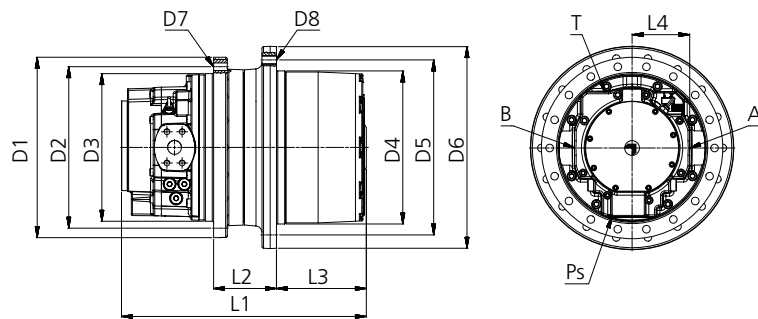
- Rotating output flange with large PCD suitable for sprocket
- Rugged design
- High torque capacity
- High load capacity
- Mechanical lifetime seals
- Compact design

Torque (Nm)

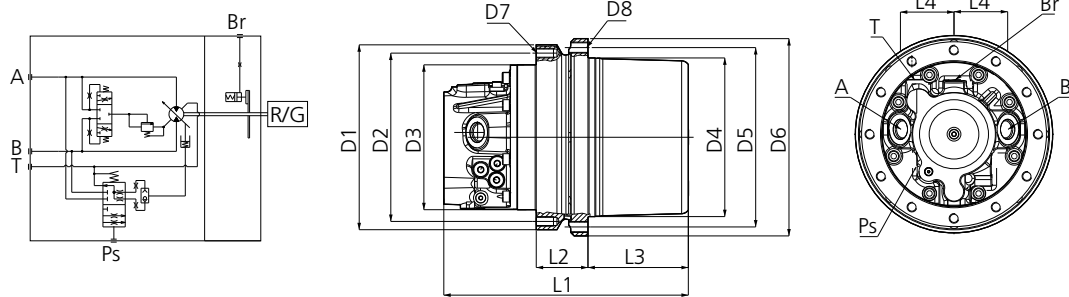
702 CT	3,500
704 CT	5,000
705 XT	12,500
706 CT	14,500



Type	Weight	Output torque	Ratios	Motor type
	tons	Nm	1:	
702 CT	2.5 ÷ 3.5	3,500	15 ÷ 22	High speed
704 CT	3.5 ÷ 5	5,000	18	
705 XT	5 ÷ 7	12,500	25 ÷ 30	Axial piston
706 CT	7 ÷ 9	14,500	53	Axial piston



XT version



CT version

Type	D1	D2	D3	D4	D5	D6	D7	D8	L1	L2	L3	L4	A-B	T	PS
702 CT	270	240	210	210	245	275	M16x2 no.8	M16x2 no.12	340	153	70	77	1" 1/16-12 UNF	3/4"-16 UNF	9/16"-18 UNF
704 CT	268	244	210	230	260	286	M14x2 no.12	M16x2 no.8	355	75	146	77	1" 1/16-12 UNF	3/4"-16 UNF	
705 XT	335	300	270	250	285	320	M16 no.12	M16 no.12	426	85	142	100	1" UNF	7/8"-14 UNF	
706 CT	335	300	270	280	330	370	M16 no.18	M16 no.18	448	115	165	100	1" UNF	7/8"-14 UNF	

CUTTER DRIVES



700C Series

Dual-stage planetary drive units with integrated pulley support designed for cold planers and milling machines with engine power from 200 to 550 kW and rotor width from 1.0 to 2.5 m. The offset input option ensures higher machine productivity due to increased cutting depth. The unique integrated cooling system allows greater performance, easier system maintenance and optimal level of reliability.



HYDRAULIC SOLUTIONS



COLD MILLING MACHINES



SURFACE MINERS

Key features

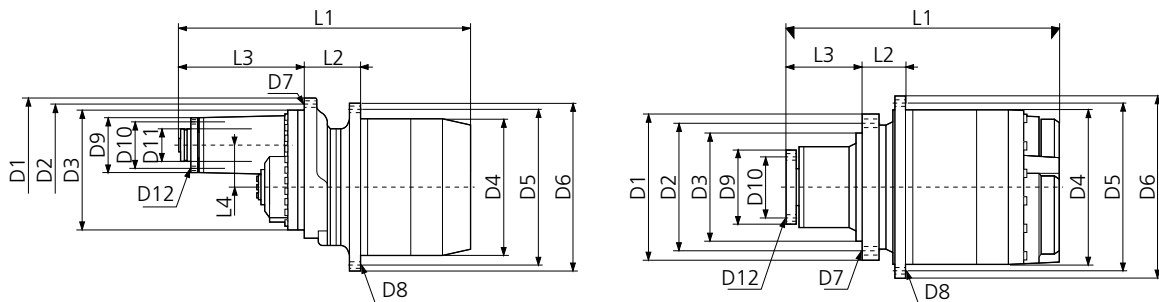
- Dual stage planetary reduction
- Integrated pulley support shaft with reinforced bearings
- Optimized housing design for improved lubrication performance
- Offset input available for increased cutting depth
- Integrated cooling system (optional)

Torque (Nm)

710 C2 H	20,000
713 C2 H	25,000
716 C2 H	45,000



Type	Ratios	Max Cutting Torque	Max Input Power	Bearings Load Ratings		Version
				C dyn. (kN)	C0 stat. (kN)	
710 C2 H	16	20,000	200	360	760	Offset
713 C2 H	16.4 - 19 - 22.9	25,000	220	473	950	Offset
716 C2 H	18.5 - 21.8	45,000	380	484	1,000	In line



Type	Vers.	D1	D2	D3	D4	D5	D6	D7	D8	D9	D10	D11	D12	L1	L2	L3	L4
710 C2 H	Offset	350	310	270	350	400	440	M20x2.5 no.24	Ø22 no.22	145	122	80	M12x1.75 no.8	811	195	265	95
713 C2 H	Offset	420	385	350	400	450	490	M20x2.5 no.23	Ø22 no.23	160	130	95	M12x1.75 no.8	834	160	325	120
716 C2 H	In line	435	381	323.85	460	500	540	M20x2.5 no.23	Ø22 no.24	240	160	-	M16x2 no.6	799	125	224.5	-

SLEW DRIVES



700T Series

The Bonfiglioli 700T series provides the safest, most effective solution for cranes, excavators and forestry machines. Highly appreciated by all major manufacturers, the 700T Series has long been established in the crane, excavator and special equipment industries.



HYDRAULIC SOLUTIONS



ELECTRIC SOLUTIONS



BUILDING CRANES



CRAWLER CRANES



DRILLING MACHINES



EXCAVATORS



LARGE EXCAVATORS



ROUGH TERRAIN CRANES



TRUCK-MOUNTED CONCRETE PUMPS



TRUCK-MOUNTED CRANES



FELLER BUNCHERS



ACCESS PLATFORMS



SCISSOR PLATFORMS



TELESCOPIC PLATFORMS

Brake options

- Hydraulically released parking brake on request
- DC and AC type

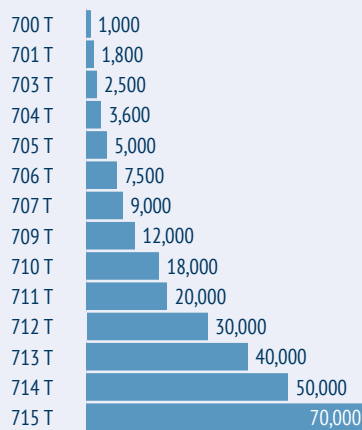
Applicable motors

- Piston hydraulic motors
- Hydraulic orbit motors
- Electric motors IEC

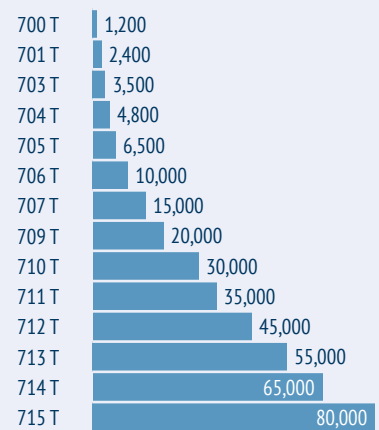
Motor options

- Pressure relief valve
- Overcenter valve

Excavator torque (Nm)



Crane torque (Nm)



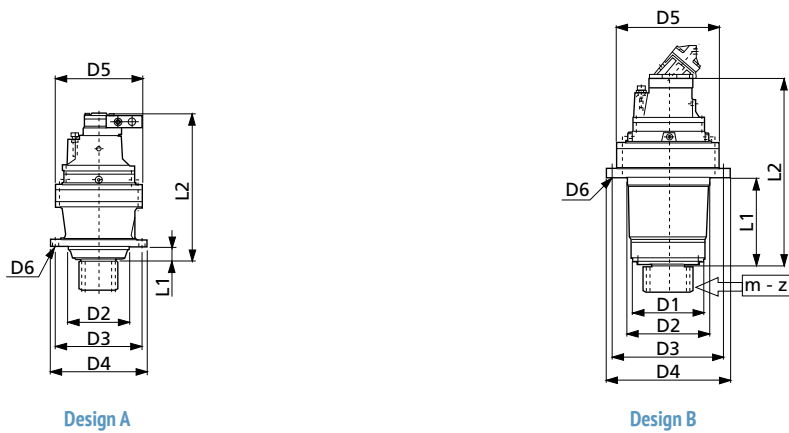
Key features

- Flange mounted
- Output shaft: splined or with integral pinion
- Rugged construction
- High torque capacity
- Output shafts supported by heavy-duty capacity bearings



Type	Range of Ratios	Max. Input Speed	Hydraulic Motor Drive*	Braking Torque	Min. Opening Pressure	Design
	max/min	bar		Nm	bar	
700 TF	3.48-7.2	500	LS	50 - 400	10 - 30	A
701 TF	3.48-7.2	500	LS	50 - 400	10 - 30	A
703 TF	12-44	3,000	HS	50 - 400	10 - 30	A
704 TF	12-44	3,000	HS	50 - 400	10 - 30	A
705 TF	12-44	3,000	HS	50 - 400	10 - 30	A
705 TL	12-44	3,000	HS	50 - 400	10 - 30	B
706 TN	15-46	3,000	HS	400 - 1,000	20 - 30	B
707 TN	17-47	3,000	HS	400 - 1,000	20 - 30	B
709 TN	17-47	3,000	HS	400 - 1,000	20 - 30	B
710 TN	19-38	3,000	HS	400 - 1,000	20 - 30	B
711 TC	14-39	3,000	HS	400 - 1,000	20 - 30	B
711 TF	14-39	3,000	HS	400 - 1,000	20 - 30	A
712 TF	80-200	3,000	HS	400 - 1,000	20 - 30	A
712 TN	80-200	3,000	HS	400 - 1,000	20 - 30	B
713 TN	50-300	3,000	HS	400 - 1,000	20 - 30	B
714 TF	90-180	3,000	HS	400 - 1,000	20 - 30	A
715 TN	57-250	3,000	HS	400 - 1,000	20 - 30	B

(*) LS = Low speed motor / HS = High speed motor



Type	D1	D2	D3	D4	D5	D6	L1	L2	m	z
700 TF	-	150	195	220	186	12.5	31	300		
701 TF	-	150	195	220	186	12.5	31	325		
703 TF	-	175	245	272	245	18	41	410		
704 TF	-	175	245	272	245	18	41	400		
705 TF	-	175	245	272	245	18	41	440		
705 TL	180	195	245	290	245	13	171	470		
706 TN	200	250	325	360	292	17	225	560		
707 TN	230	280	314	348	345	17	295	670		
709 TN	250	280	380	420	345	17	295	720		
710 TN	300	425	460	500	400	22	360	730		
711 TC	300	425	460	500	428	22	345	735		
711 TF	500	320	500	560	425	22	70	750		
712 TF	-	410	450	490	420	ø21 n°24	120	900		
712 TN	400	425	470	510	420	ø20 n°30	350	900		
713 TN	340	400	510	560	445	22	420	1,030		
714 TF	-	420	490	530	490	ø22 n°24	160	1,100		
715 TN	370	470	600	640	542	22	465	1,250		

Module/number of teeth of pinion UPON REQUEST



SLEW DRIVES



700TK Series

The 700TK Series is the compact and powerful slew drive package for 1.5- to 150-ton excavators. The units are powered by integrated axial piston hydraulic motors, developed in cooperation with Kayaba and can be fitted in very small spaces.



HYDRAULIC SOLUTIONS



EXCAVATORS



MINI-EXCAVATORS

Brake options

- Hydraulically released failsafe parking brake
- Brake retarder valve on request

Applicable motors

- Kayaba hydraulic motor fixed displacement complete with shockless type pressure relief valve

Motor options

- Anti swing-back valve

Key features

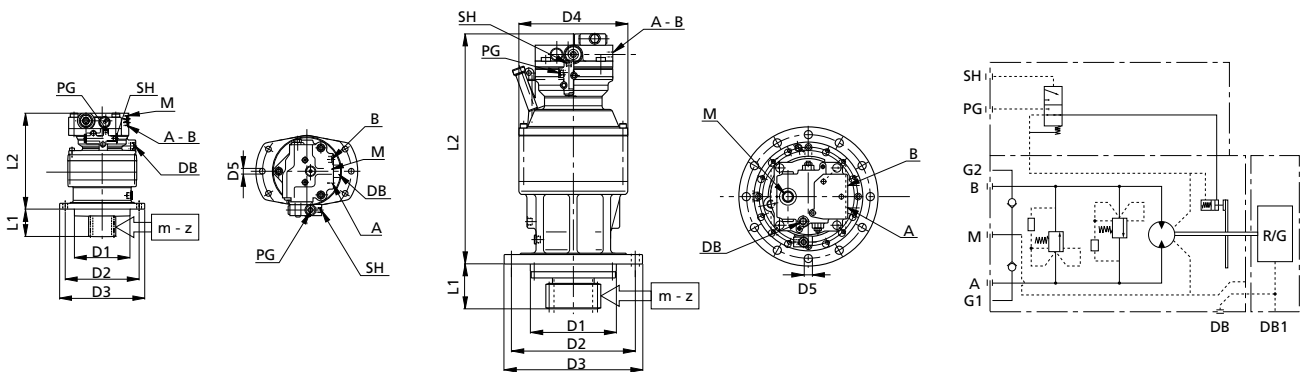
- Flange mounted
- Output shaft with integral pinion
- Rugged construction
- High torque capacity
- Output shafts supported by heavy-duty bearings
- Compact design

Torque (Nm)

700 T1 K	750
701 T2 K	1,200
703 T2 K	2,500
705 T2 K	5,000
706 T2 K	7,500
707 T2 F	9,000
709 T2 F	11,000
710 T2 F	15,000
711 T2 F	24,000
713 T2 F	30,000



Type	Gearbox	Motor displacement	Max. pressure	Max. flow	Parking brake		Range of ratio	Approx. weight of machine
					Yes	No		
	nbr	cm	bar	l/min	•	•	1:	Ton
700 T1 K	1	27.4	210	18	•	•	8.2	1.5 - 2.5
701 T2 K	1	27.4	210	30	•	•	13.7-20.8	3 - 4
703 T2 K	1	27.4	250	50	•	•	14.8-35.6	5 - 6
705 T2 K	1	44.1	280	80	•		18-26.3	7 - 8
706 T2 K	1	87.3	320	160	•		15.3-33	9 - 13
707 T2 F	1	87.3	320	160	•		14.7-22.3	15 - 18
709 T2 F	1	130-160-180	270 ÷ 290	180 ÷ 240	•		19-25	21 - 26
710 T2 F	1	160-180	270 ÷ 290	250	•		22-26	26 - 30
711 T2 F	1	210	270 ÷ 290	290	•		21-25	30 - 35
709 T2 F	2	130-160-180	270 ÷ 290	180 ÷ 240	•		19-25	35 - 45
710 T2 F	2	160-180	270 ÷ 290	250	•		22-26	45 - 60
711 T2 F	2	210	270 ÷ 290	290	•		21-25	60 - 80
713 T2 F	2	160-180	270 ÷ 290	270	•		25-35	80 - 120



700 T1 K... 703 T2 K

703 T2 K - 27... 713 T2 F

Type	D1	D2	D3	D4	D5	L1	L2	A-B	DB	M	SH	PG	m	z
700 T1 K	-	228	260	186	∅ 13 no.6	76	221							
701 T2 K	175	228	260	186	∅ 13 no.6	86	256							
703 T2 K	175	245	272	244	∅ 18 no.10	120	330							
705 T2 K	230	245	272	244	∅ 18 no.10	120	420							
706 T2 K	230	332	372	292	∅ 22 no.10	150	580							
706 T2 K	270	332	372	292	∅ 22 no.10	150	615							
707 T2 K	-	360	410	348	∅ 22 no.12	160	580	Main port	Drain port	Anticavitation port	Spool operating port	Brake release port		Pinion teeth data upon request
707 T2 F	-	360	410	348	∅ 22 no.12	160	580							
709 T2 F	270	360	410	348	∅ 22 no.12	160	t.b.d.							
710 T2 F	390	460	510	400	∅ 22 no.12	160	t.b.d.							
711 T2 F	370	470	520	430	∅ 22 no.12	160	t.b.d.							
713 T2 F	550	600	660	445	∅ 26 no.24	350	t.b.d.							

WINCH DRIVES



700C Series

Planetary winch gearboxes of the 700C series are composed of 18 finely spaced frame sizes. The compact design allows the gearbox to be integrated into the winch drum. The failsafe brake can be integrated inside the gearbox or mounted externally, with common lubrication for the gears. Electrically driven versions are available with both in-line and right-angle configurations. Torque ratings are organized by FEM class, in accordance with minimum approved class safety factors for gears.



HYDRAULIC SOLUTIONS



ELECTRIC SOLUTIONS



BUILDING CRANES



CRAWLER CRANES



DRILLING MACHINES



ROUGH TERRAIN CRANES

Input speed

- up to 4,000 rpm

Applicable motors

- Cartridge axial piston hydraulic motors
- Flanged axial piston hydraulic motors
- Hydraulic orbit motors

Key features

- Class approval program
- ATEX conformity on demand
- Torque ratings are organized by FEM class
- The failsafe brake can be integrated inside the gearbox or mounted externally, with common lubrication for the gears
- Electrically driven variations are available with both in-line and right angled configurations

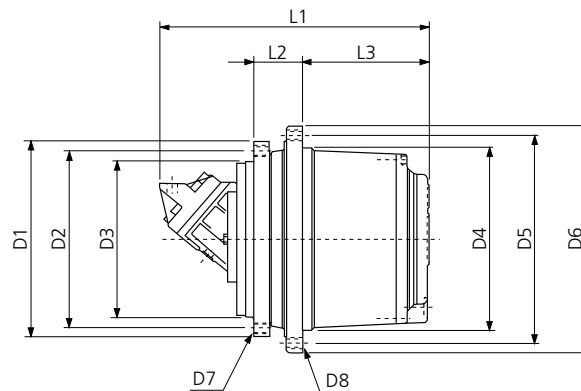
Torque (Nm)

703 C2	2,000
705 C2	5,300
706 C3	10,000
707 C3	16,000
709 C3	23,000
710 C3	29,500
711 C3	31,000
713 C3	48,500
715 C3	64,500
716 C3	77,500
717 C3	105,990
718 C3	111,500
720 C3	164,500
722 C3	260,000



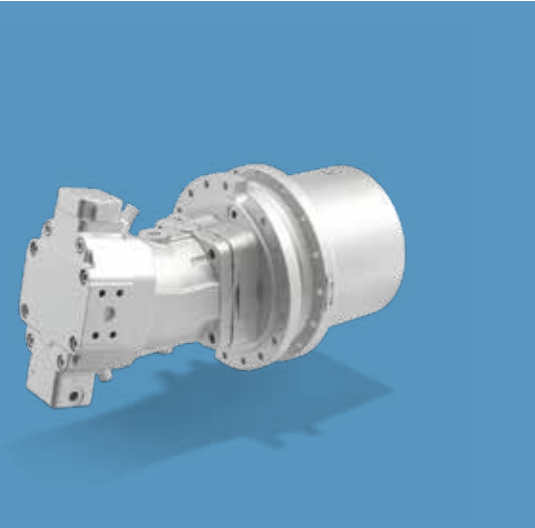
Type	Range of ratios	Max. input speed	Hydraulic motor drive ⁽¹⁾	Braking torque	Min. opening pressure	Weight
	1:	RPM		Nm	bar	kg
703 C2	19-40	4000	HS	210	18	42
705 C2	22-53	3500	HS	220 - 310	10 - 20	60
706 C3	68-173	3500	HS	250 - 500	10 - 20	95
707 C3	55-120	3500	HS	250 - 500	10 - 20	135
709 C3	55-147	3500	HS	250 - 600	10 - 20	180
710 C3	55-166	3500	HS	250 - 600	10 - 20	200
711 C3	71-163	3500	HS	400 - 800	10 - 20	270
713 C3	56-147	3000	HS	400 - 800	10 - 20	310
715 C3	62-156	3000	HS	600 - 1000	10 - 20	350
716 C3	83-174	3000	HS	800 - 1200	10 - 20	400
717 C3	92-211	3000	HS	800 - 1200	10 - 20	630
718 C3	87-263	3000	HS	800 - 1400	10 - 20	750
720 C3	175-287	3000	HS	800 - 1700	10 - 20	820
722 C3	296-492	3000	HS	1500 - 2500	15 - 30	1300

(1) LS = Low speed motor / HS = High speed motor



Type	D1	D2	D3	D4	D5	D6	D7	D8	L1	L2	L3	L4
703 C2	270	230	190	200	240	280	M16x2 n°8	M20x1.5 n°8	Depend on motor type	72	128	-
705 C2	270	230	190	220	260	300	M16x2 n°12	M16x2 n°16		72	158	-
706 C3	330	300	270	280	330	370	M16x2 n°18	M16x2 n°18		115	190	-
707 C3	317	285	240	300	340	370	M20x2.5 n°20	M16x2 n°20		82	233	-
709 C3	375	340	300	330	370	400	M20x2.5 n°16	M16x2 n°30		91	243	-
710 C3	375	340	300	350	400	435	M20x2.5 n°16	M20x2.5 n°16		91	243	-
711 C3	425	325	290	410	455	490	M20x2.5 n°24	M20x2.5 n°24		110	265	-
713 C3	425	325	290	410	455	490	M20x2.5 n°24	M20x2.5 n°24		110	280	-
715 C3	500	460	420	460	510	550	M20x2.5 n°24	M20x2.5 n°24		130	315	-
716 C3	500	460	420	460	500	550	M24x3 n°24	M18x1.5 n°36		165	308	-
717 C3	570	510	450	560	610	660	M30x3.5 n°20	M24x3 n°24		170	350	-
718 C3	570	510	450	576	626	670	M24x3 n°30	M24x3 n°20		170	350	-
720 C3	650	600	460	610	680	735	M30x3.5 n°30	M30x3.5 n°24		170	370	-
722 C3	735	680	580	660	730	785	M30x3.5 n°30	M30x3.5 n°30		188	430	-

WINCH DRIVES



800 Series

Units of the 800 series are specifically designed for winch applications, and can be easily accommodated within the drum itself. Available in various gear ratios, units feature heavy-duty bearings and an optional failsafe parking or emergency multi-disk brake.



HYDRAULIC SOLUTIONS



ELECTRIC SOLUTIONS



BUILDING CRANES



CRAWLER CRANES



CRUSHERS & SCREENERS



DRILLING MACHINES



ROUGH TERRAIN CRANES



TRUCK-MOUNTED CRANES

Brake options

- Hydraulically released parking brake on request

Applicable motors

- Flanged axial piston motors
- Orbit motors

Key features

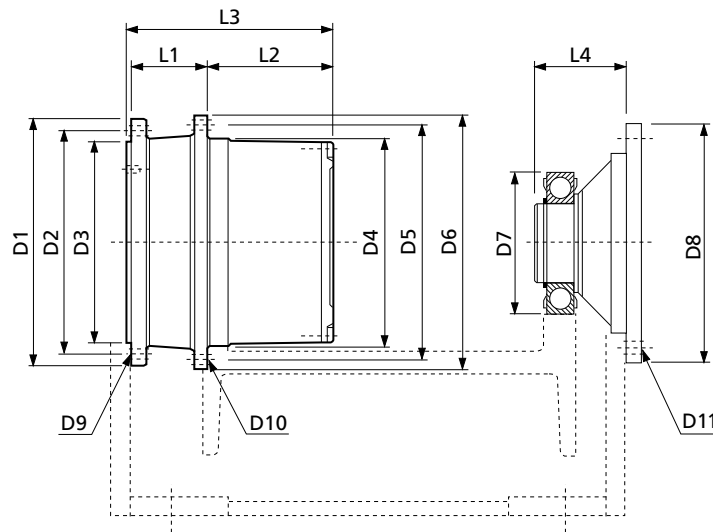
- Rotating housing flange
- Rugged construction
- High torque capacity
- High load capacity
- Freewheel for anti run-back device, as an option

Torque (Nm)

805 W2	5,000
806 W2	10,000
810 F2	17,500
806 W2	27,000
810 F2	42,000

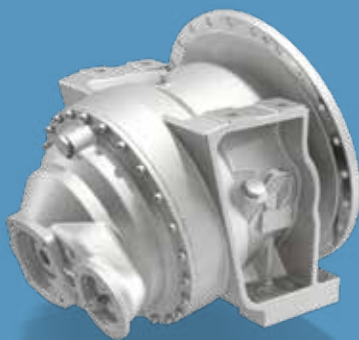


Type	Range of ratios	Max. line rope	Max. rope pull	Max. input speed	Braking torque	Min. opening pressure	Weight
	1:	N	ton	min ⁻¹	Nm	bar	Kg
805 W2	22 - 53	35,000	2.0 ... 4.0	3000	500 - 750	15 - 25	70
806 W2	30 - 44	50,000	4.0 ... 5.5	3000	700 - 1000	15 - 25	95
810 F2	21 - 46	85,000	6.0 ... 8.0	3000	800 - 1200	15 - 25	160
811 W2	42	120,000	8.0 ... 13.0	2500	900 - 1300	15 - 25	270
813 W3	60 - 108	170,000	14.0 ... 18.0	2500	900 - 1300	15 - 25	310



Type	D1	D2	D3	D4	D5	D6	D7	D8	D9	D10	D11	L1	L2	L3	L4
805 W2	265	240	215	225	250	270	140	210	M12x1.75 n°16	ø13 n°16	ø13 n°8	75	158	250	95
806 W2	330	300	270	280	315	340	140	210	M16x2 n°12	ø17 n°12	ø13 n°8	100	165	280	95
810 F2	270	240	215	350	375	410	190	320	M16x2 n°18	ø13 n°24	ø19 n°12	25	310	360	110
811 W2	420	325	280	410	455	490	190	320	M20x2.5 n°21	ø22 n°24	ø19 n°12	110	260	390	110
813 W3	420	325	280	410	455	490	190	320	M20x2.5 n°21	ø22 n°24	ø19 n°12	110	275	405	110

DRUM DRIVES



500 Series

Absolute dependability, low maintenance, compactness and cost-effectiveness are the key features of the redesigned 500 series, the unparalleled line of drives for transit mixers. Eight models available for mixing capacity ranging from 1 to 14 m³.



HYDRAULIC SOLUTIONS



TRANSIT MIXERS

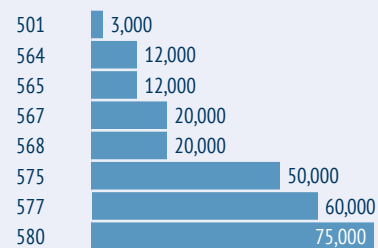
Applicable motors

- Axial piston motors to SAE
- Standard orbit motors

Key features

- Rotating housing flange
- Rugged design
- High torque capacity
- High load capacity
- Tilting output flange, evenly in all directions
- Mounting frame for water tank
- Water pump P.T.O.
- Speed sensor

Torque (Nm)



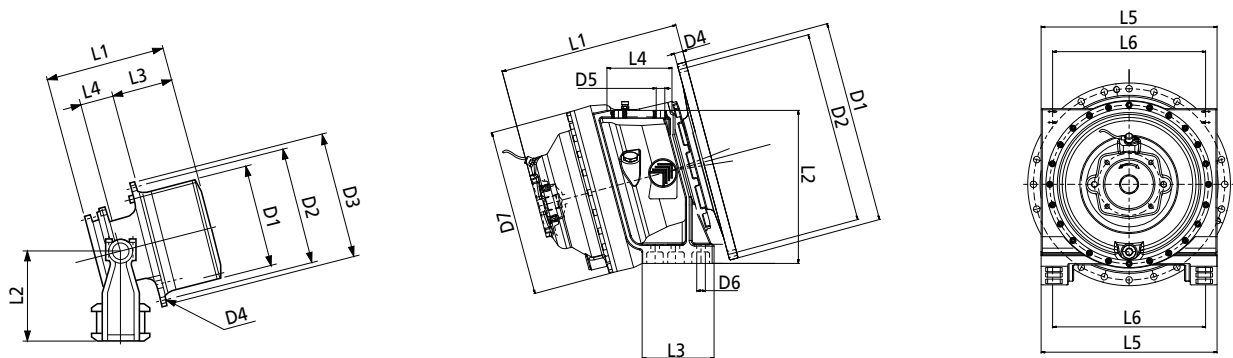
Type	Range of Ratios	Hydr. Motor Drive ⁽¹⁾	Max. Input Speed	Drum Capacity ⁽²⁾	Weight	Oil Quantity	Design	Water Pump P.T.O.	Speed Sensor
	1:		min ⁻¹	m ³	kg	L			
501	17-23-29	LS	550	0.5 - 1	45	1.5	A	-	-
564	78-161	HS	2,500	2 - 3	85	2	A	-	-
565	22	LS	550	2 - 3	70	1.5	A	-	-
567	76-90-115-128	HS	2,500	4 - 5	140	3	A	-	-
568	18-21-27	LS	550	4 - 5	130	2.5	A	-	-
575	99.3-102-141	HS	3,000	6 - 8	250	7	B	•	•
577	131	HS	3,000	8 - 10	290	8.5	B	•	•
580	130-135-140	HS	3,000	10 - 14	320	10	B	•	•

(1) LS = Low speed motor / HS = High speed motor

(2) General indication, application capacity depends on concrete slump

- = Not available

• = Available



Type	D1	D2	D3	D4	D5	D6	D7	L1	L2	L3	L4	L5	L6
501	200	222	245	13 no. 4	-	-	-	270	195	138	89	-	-
564	280	310	340	17 no. 10	-	-	-	365	240	165	85	-	-
565	280	310	340	17 no. 10	-	-	-	290	240	165	85	-	-
567	358	390	430	17 no. 18	-	-	-	435	300	210	110	-	-
568	358	390	430	17 no. 18	-	-	-	360	300	210	110	-	-
575	530	500	-	17 no. 24	22 no. 4	22 no. 6	435	450	400	188	170	460	400
577	530	500	-	17 no. 24	22 no. 4	22 no. 6	435	450	400	188	170	460	400
580	530	500	-	17 no. 24	22 no. 4	22 no. 6	435	525	400	188	170	460	400

DRUM DRIVES FOR HYBRID CONCRETE MIXERS



500 Series

This solution is designed for use with medium/large mixer trucks that have medium/long delivery distances to travel. Bonfiglioli's innovative solution comprises a Bonfiglioli 500 Series gearbox coupled to an AC electric motor, providing normal power, and a DC electric motor for emergency use.



ELECTRIC SOLUTIONS



TRANSIT
MIXERS

This product not only guarantees greater energy efficiency and reduced fuel consumption, but also helps cut cement mixer truck operating costs. Performance is improved too: rotation speed control is more accurate, operating noise levels are significantly lower. Finally, functionality remains higher in the event of a failure: the presence of a second backup DC motor provides reassuring redundancy and eliminates the risks and potentially hazardous situations caused by failures of the drum emptying system.

Key benefits

- Increased energy efficiency
- Reduced fuel consumption
- Optimized gear design for maximum efficiency and minimum noise

Torque (Nm)

577 60,000



Gearbox data

Ratio

- Main: 1:220
- Emergency: 1:2,200

Max output torque

- Main: 60,000 Nm
- Emergency: 10,500 Nm

Max input speed

- Main: 3,500 rpm
- Emergency: 2,000 rpm

Oil quantity

- 8 lt

Dry weight

- 328 kg

Motor data

Type

- Main: Induction AC
- Emergency: PM DC motor

Rated Power

- Main: 40 kW
- Emergency: 2 kW

Voltage

- Main: 170 VAC
- Emergency: 24 VDC

Protection degree

- IP66

Cooling

- Main: Liquid
- Emergency: Air forced

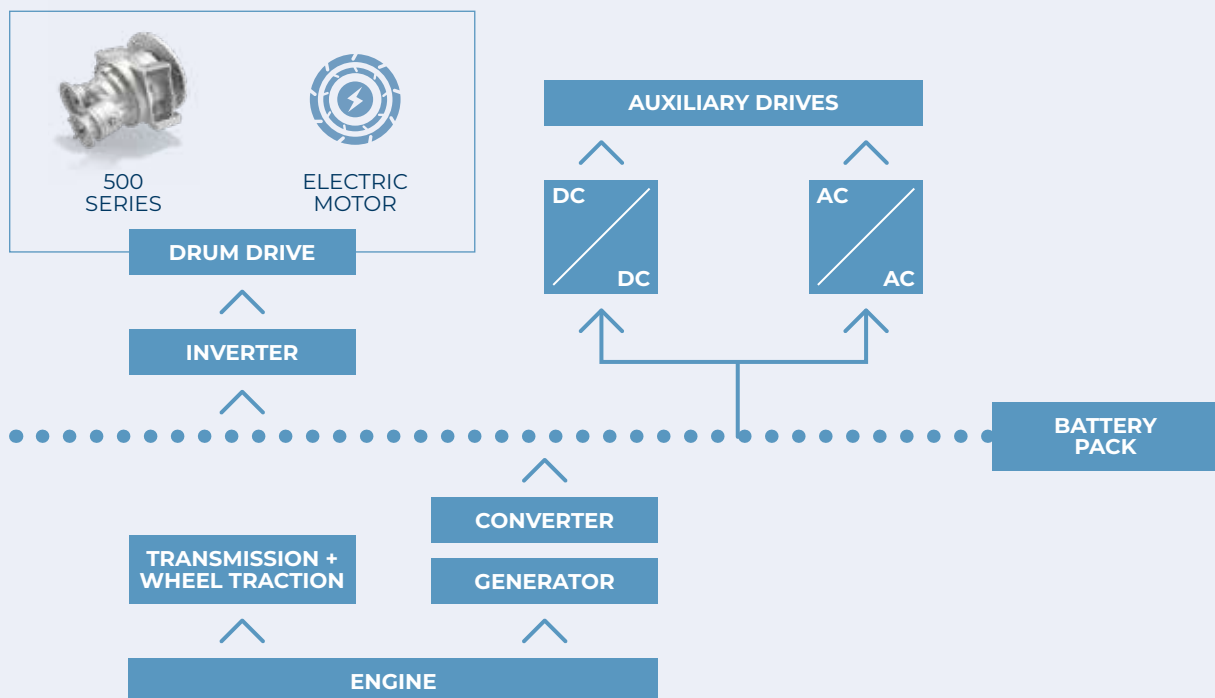
Key features

Service intervals less frequent and simplified versus the standard hydraulic solution

Better drum rotation speed control

The emergency electric DC motor allows higher availability in case of machine failure

Functional Diagram



OUR PROJECTION INTO THE FUTURE

MORE THAN 250 EMPLOYEES AROUND THE WORLD ARE INVOLVED IN THE GROUP'S R&D ACTIVITIES.

DESIGN SIMULATION

Bonfiglioli has the most advanced **virtual simulation techniques** that allow to speed up the validation process, thus reducing time to market and providing customers with optimized and efficient solutions.



TEST LABORATORIES

In our R&D department we **research, develop, validate and certify** all the products and solutions which are engineered and manufactured in our plants across the world.



CO-ENGINEERING

At Bonfiglioli we **work close to our customers to satisfy all their needs** and requirements with a true tailormade solution.



OUR CONSTANT AMBITION

QUALITY, HEALTH, SAFETY, ENVIRONMENT & ENERGY

QUALITY: WE CARE ABOUT OUR CUSTOMERS

Our team is wholly dedicated to continuous improvement in the quality, safety, environmental and energy spheres throughout the entire value chain, from the smallest supplier to the end client. Bonfiglioli is committed to achieving the highest quality standards, and our products are intended to generate value for our customers while respecting both people and the environment. We design, manufacture and supply effective products and services that set a benchmark for quality in the industry.

Bonfiglioli management systems are certified ISO 9001: 2015, ISO 14001: 2015, ISO 45001: 2018 and ISO 50001:2018, while our products are covered by 7 international certifications. Responsibility, excellence and continuous improvement are the basic elements that make us the favored partner of our clients and suppliers.

HEALTH & SAFETY: SUSTAINABILITY STARTS WITH SAFETY

Prevention of accidents and incidents is a key element of our company's sustainability strategy and an integral part of each one of our business processes. The successful management of risks is essential for protecting our employees and assets, thereby strengthening their contributions.

ENVIRONMENT & ENERGY: RESPECT THE PRESENT TO BUILD THE FUTURE

At Bonfiglioli, we believe that respect for the present and the adoption of environmental protection and energy efficiency policies are essential if we are to enjoy a better future.

OUR GLOBAL PRESENCE

Thanks to an international network of closely interconnected commercial and production sites, we can guarantee the same high standards of Bonfiglioli quality anywhere at any given time. We know that our direct presence in local markets is the key to long-lasting success, so our family includes 20 production sites, 26 commercial sites and more than 550 distributors around the world.

Our organization is always close by, offering complete and efficient solutions and supporting our customers with dedicated services, co-engineering and after-sales assistance.



20
PRODUCTION SITES

26
COMMERCIAL SITES

80
COUNTRIES

550
DISTRIBUTORS

~4,800
PEOPLE

AUSTRALIA

Bonfiglioli Transmission (Aust.) Pty Ltd
2, Cox Place Glendenning NSW 2761
Locked Bag 1000 Plumpton NSW 2761
Tel. +61 2 8811 8000



BRAZIL

Bonfiglioli Redutores do Brasil Ltda
Av. Osvaldo Fregonezi, 171, cjs 31 e 44
CEP 09851-015 - São Bernardo do Campo
São Paulo
Tel. +55 11 4344 2322



CHINA

Bonfiglioli Drives (Shanghai) Co. Ltd.
#68, Hui-Lian Road, QingPu District,
201707 Shanghai
Tel. +86 21 6700 2000



Motion & Robotics

#568, Longpan Road, Jiading District,
201707 Shanghai



Bonfiglioli Trading (Shanghai) Co. Ltd.

Room 423, 4th Floor, #38, Yinglun Road,
China (Shanghai) Pilot Free Trade Zone,
Shanghai



Selcom Electronics (Shanghai) Co., Ltd

A7, No.5399, Waiqingsong Road, QingPu
District,
201707 Shanghai
Tel. +86 21 6010 8100



A24, No.5399, Waiqingsong Road, QingPu
District,
201707 Shanghai

Tel. +86 21 6010 8100



FRANCE

Bonfiglioli Transmission S.A.S.

14 Rue Eugène Pottier
Zone Industrielle de Moimont II
95670 Marly la Ville
Tel. +33 1 34474510



GERMANY

Bonfiglioli Deutschland GmbH

Sperberweg 12 - 41468 Neuss
Tel. +49 0 2131 2988 0



Bonfiglioli Vectron GmbH

Europark Fichtenhain B6 - 47807 Krefeld
Tel. +49 0 2151 8396 0



O&K Antriebstechnik GmbH

Ruhrallee 8-12 - 45525 Hattingen
Tel. +49 0 2324 2050 1



INDIA

Bonfiglioli Transmission Pvt. Ltd.

Mobility & Wind Industries
AC 7 - AC 11 Sidco Industrial Estate
Thirumudivakkam Chennai - 600 044
Tel. +91 844 844 8649



Discrete Manufacturing & Process Industries - Motion & Robotics

Survey No. 528/1,
Perambakkam High Road Mannur Village,
Sriperumbudur Taluk Chennai - 602 105
Tel. +91 844 844 8649



Discrete Manufacturing & Process Industries

Plot No.A-9/5, Phase IV MIDC Chakan,
Village Nigoje Pune - 410 501
Tel. +91 844 844 8649



ITALY

Bonfiglioli Riduttori S.p.A.

Discrete Manufacturing & Process Industries

Via Cav. Clementino Bonfiglioli, 1
40012 Calderara di Reno
Tel. +39 051 6473111



Discrete Manufacturing & Process Industries

Via Sandro Pertini, lotto 7b
20080 Carpiano
Tel. +39 02985081



Discrete Manufacturing & Process Industries

Via Saliceto, 15 - 40010 Bentivoglio



Mobility & Wind Industries

Via Enrico Mattei, 12 Z.I. Villa Selva
47122 Forlì
Tel. +39 0543 789111



Motion & Robotics

Via Unione, 49 - 38068 Rovereto
Tel. +39 0464 443435/36



Selcom Group S.p.A.

Via Achille Grandi, 5
40013 Castel Maggiore (BO)
Tel. +39 051 6387111



Via Marino Serenari, 18
40013 Castel Maggiore (BO)

Tel. +39 051 6387111



Via Cadriano, 19
40057 Cadriano (BO)

Tel. +39 051 6387111



NEW ZEALAND

Bonfiglioli Transmission (Aust.) Pty Ltd

88 Hastie Avenue, Mangere Bridge,
2022 Auckland
PO Box 11795, Ellerslie
Tel. +64 09 634 6441



SINGAPORE

Bonfiglioli South East Asia Pte Ltd

8 Boon Lay Way, #04-09,
8@Tadehub 21, Singapore 609964
Tel. +65 6268 9869



SLOVAKIA

Bonfiglioli Slovakia s.r.o.

Robotnícka 2129
Považská Bystrica, 01701 Slovakia
Tel. +421 42 430 75 64



SOUTH AFRICA

Bonfiglioli South Africa Pty Ltd.

55 Galaxy Avenue, Linbro Business Park,
Sandton, Johannesburg
2090 South Africa
Tel. +27 11 608 2030



SPAIN

Tecnotrans Bonfiglioli S.A

Avinguda del Ferrocarril, nº 14,
Polígono Industrial Can Estapé
08755 Castellbisbal - Barcelona
Tel. +34 93 447 84 00



TURKEY

Bonfiglioli Turkey Jsc

Atatürk Organize Sanayi Bölgesi,
10007 Sk. No. 30
Atatürk Organize Sanayi Bölgesi,
35620 Çiğli - İzmir
Tel. +90 0 232 328 22 77



UNITED KINGDOM

Bonfiglioli UK Ltd.

Unit 1 Calver Quay, Calver Road, Winwick
Warrington, Cheshire - WA2 8UD
Tel. +44 1925 852667



USA

Bonfiglioli USA Inc.

3541 Hargrave Drive
Hebron, Kentucky 41048
Tel. +1 859 334 3333



VIETNAM

Bonfiglioli Vietnam Ltd.

Lot C-9D-CN My Phuoc Industrial Park 3
Ben Cat - Binh Duong Province
Tel. +84 650 3577411





We have a relentless commitment to excellence, innovation & sustainability. Our team creates, distributes and services world-class power transmission & drive solutions to keep the world in motion.

HEADQUARTERS

Bonfiglioli S.p.A
Via Cav. Clementino Bonfiglioli, 1
40012 Calderara di Reno - Bologna (Italy)
Tel. +39 051 6473111

